

Modern HydroTap Deck Mount BCS Cube Faucet

Style Number: 833451

Collection: HydroTap

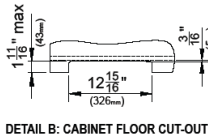
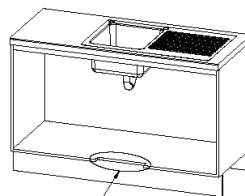
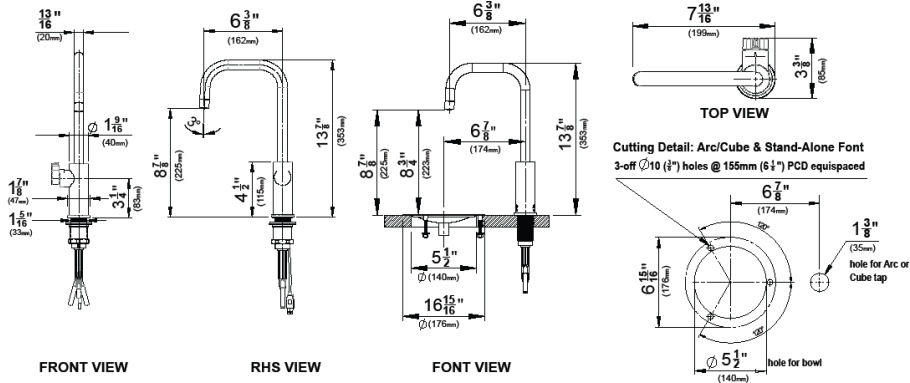
Origin: Australia

Description: HydroTap Deck Mount Boiling, Chilled, & Sparkling Filtered Faucet Matte Black 120V



GENERAL FEATURES & SPECIFICATIONS

- Deck Mounted Cube Filtered Faucet w/ Boiling, Chilled, & Sparkling
- For Residential Applications
- Boiling Water Safety Lock, Cool Touch Tap
- Smart Energy Saving Mode
- Hole Size: 1-3/8"
- Flow Rate: Max 1.8gpm
- Sparkling Water Flow Rate: 0.36gpm
- Water Pressure: Min 30psi-Max 75psi, Min Flow 1gpm
- Water connection: 1/2" BSP Isolation Valve Required within 3' of installation
- Integral Water Valves: Fitted with a Dual Check Valve and 50psi Pressure Limiting Valve
- Water Supply Requirements: Potable Drinking Water
- TDS: Min 50ppm – max 120ppm
- Integral Water Filter: 0.2 Micron, 1 Size – Replace every 1500 gallons or 12 months
- Power Rating: 110-120V, 60Hz, 1.25kW
- Power Supply: 110-120V, 60Hz 15amp power supply with NEMA 5-15 Outlet
- Dimension: 13.4" x 18.2" x 13.1"
- Min Air Gap: Clearances are required 2" Left Side, 2" Right Side, 8" Above
- CO2 Cylinder: 2x1.5lb Beverage Grade Carbon Dioxide Cylinder
- CO2 Capacity: Approx. 950 8oz cups
- CO2 Operating Pressure: Min 39psi- Max 43psi
- Approvals: WQA – NSF/ANSI 372, 42, 53, cUL, CEC
- Available Finishes: Bright Chrome, Brushed Chrome, Matte Black, Rose Gold, Brushed Gold, Polished Nickel or Brushed Nickel



1 3/8" hole (35mm)
 Sink shown only

Position the Tap to dispense into the sink bowl with ample clearance for a cup or a carafe. Alternatively, the Tap may be mounted away from the sink using a Zip Font, available as an accessory.

