

Modern Nano Deck Mount Faucet

Style Number: 773384

Collection: THG

Origin: France

Description: Nano Deck Mount Single Hole Faucet Set w/ Single Lever Handle 10-3/4" Tall Without Drain in Polished Chrome

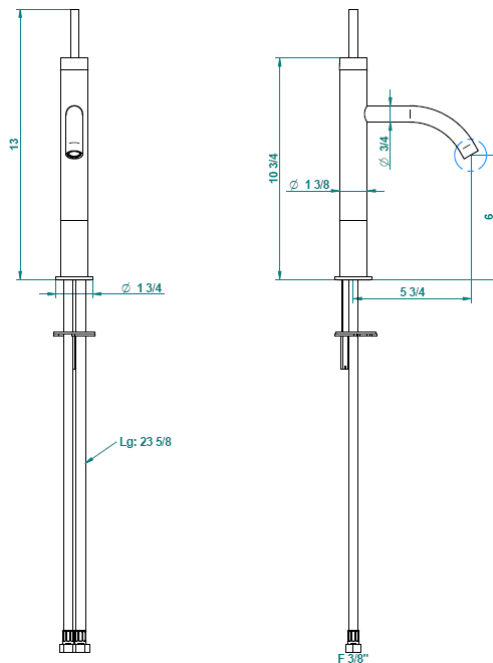


GENERAL FEATURES & SPECIFICATIONS

- Deck Mounted
- Single Hole
- 10-3/4" High
- 5-3/4" Spout Projection
- No Drain
- Lever Handle
- 2.2gpm
- **Material: Brass**
- **Finishes: Polished Chrome, Stainless Steel, Brushed Stainless Steel, Polished Nickel, Matte Nickel, Matte Chrome, Satin Chrome, Light Coated Bronze, Black Nickel, Polished Gold, Satin Gold, Matte Gold, Silver Rhodium, Rose Gold, Soft Gold, Soft Matte Gold, Soft Satin Gold, Brown Bronze PVD, Matte Brown Bronze PVD, Polished Silver Antique, Matte Copper Antique, Nickel Antique, Brass PVD, Matte Brass PVD, Gold PVD, Matte Gold PVD, Nickel PVD, Matte Nickel PVD, Matte Blush PVD, Blush PVD, Graphite PVD, Matte Graphite PVD, Umber PVD, Matte Umber PVD**

CODES & STANDARDS

NSF 61s9, ASME A112.18.1-2005/CSA B125.1-05 & CA law AB 1953



recommended drilling \varnothing
ø de perçage conseillé
empfohlener abstand
Ø de perforación aconsejado

